

MCQA-AH series

AIR/OIL CONVERTER



Features:

- Consider cylinder thrust force is about 70%(50% high speed) of theoretical force.
- Displacement is suggested about 50% of total volume.
- Max. oil ascending speed is about 200mm/sec.
- Recommend ISO VG32 equivalent oil.
- Oil is feeded not exceeding 80% of total volume.
- Installed uprightly and above actuator cylinder.

Model	MCQA-AH
Tube I.D. (mm)	40,50,63,80,100,125,150
Medium	ISO VG32 EQUIVALENT
Operating pressure range	0.5~9.9 kgf/cm ²
Proof pressure	15 kgf/cm ²
Ambient temperature	-5~+60°C (No freezing)

Order example:

MCQA - 50 × 100 - AH - FAC

MODEL

LENGTH

MOUNTING TYPE

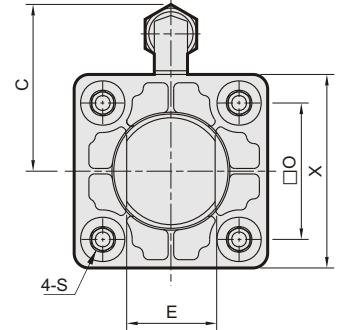
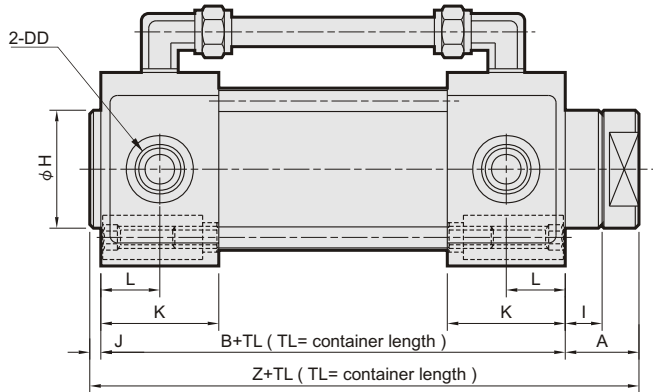
TUBE I.D.

TYPE

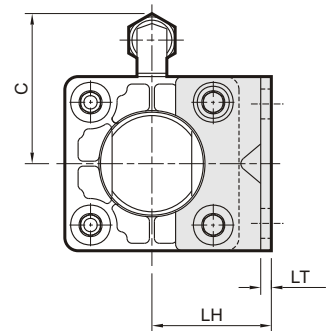
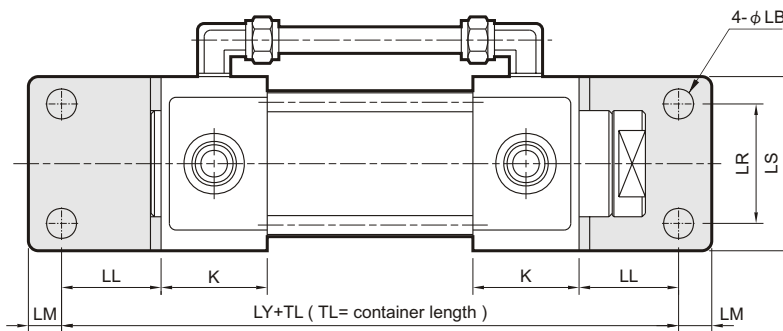
	Blank
	LB
	FAC

MCQA-AH $\phi 40\sim\phi 100$

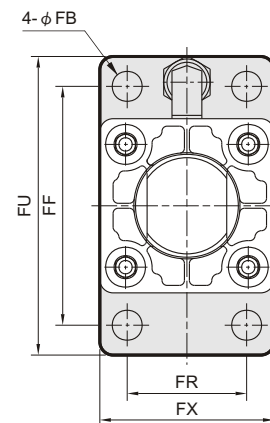
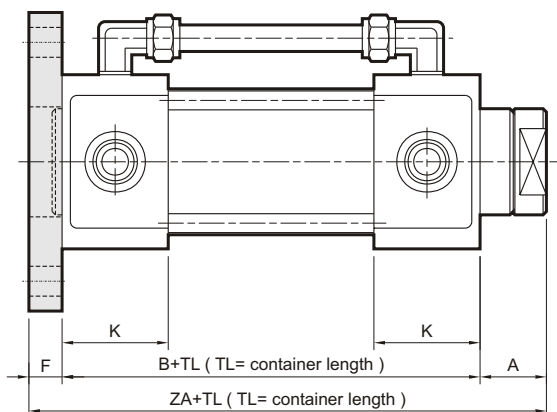
AIR/OIL CONVERTER—Installed uprightly



LB



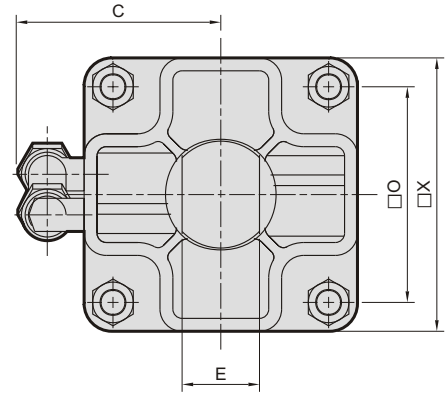
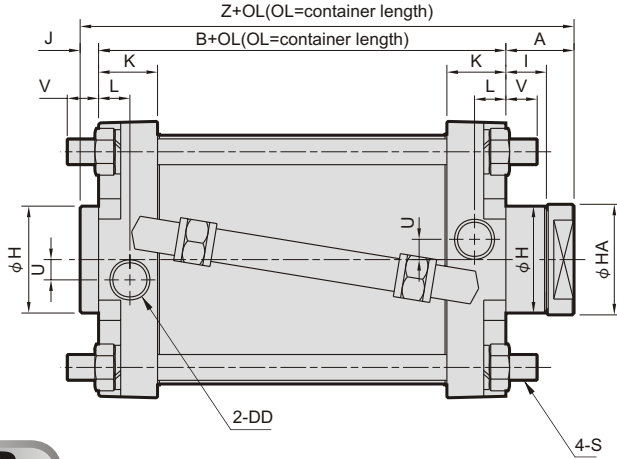
FAC



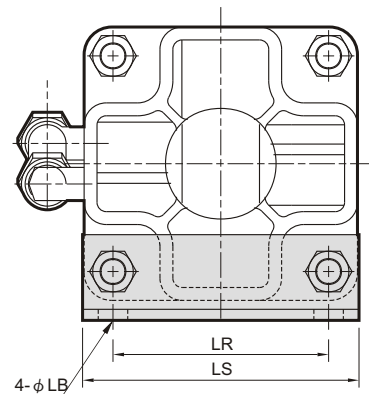
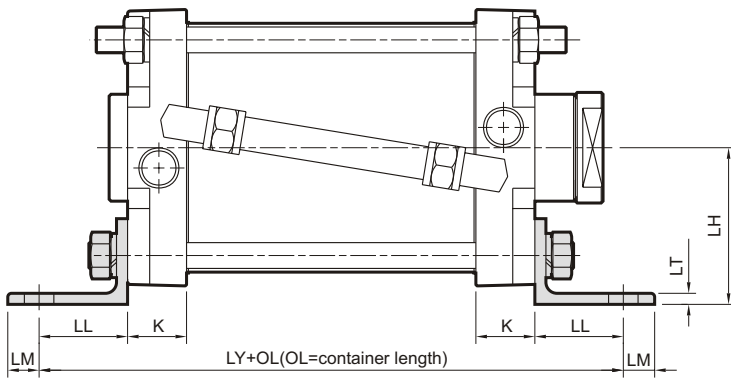
Code Tube I.D.	A	B	C	DD	E	F	FB	FF	FR	FU	FX	H	I	J	K	L	LB	LH	LL	LM	LR	LS	LT	LY	O	S	X	Z	ZA
40	21	62	49	PT 1/4	24	12	9	80	42	100	65	32	11	3	26	13	9	40	27	13	42	58	3.2	116	40.5	M8×1.25	58	86	95
50	21	66	53	PT 3/8	28	12	9	90	50	110	73	40	11	3	28	14	9	45	27	13	50	66	3.2	120	48	M8×1.25	66	90	99
63	21	72	66	PT 3/8	28	15	11.5	105	59	130	84	40	11	3	30	15	11.5	50	34	16	59	80	4.5	140	59	M8×1.25	80	96	108
80	27	82	70	PT 1/2	36	18	14	130	76	160	108	45	15	4	34	17	14	65	44	16	76	100	6.0	170	74	M12×1.75	100	113	127
100	27	90	79	PT 1/2	40	18	14	150	92	180	124	52	15	5	37	18.5	14	75	43	17	92	118	6.0	176	90	M12×1.75	118	122	135

MCQA-AH $\phi 125 \sim \phi 150$

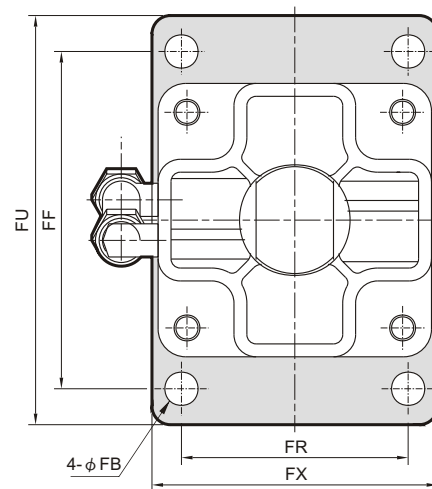
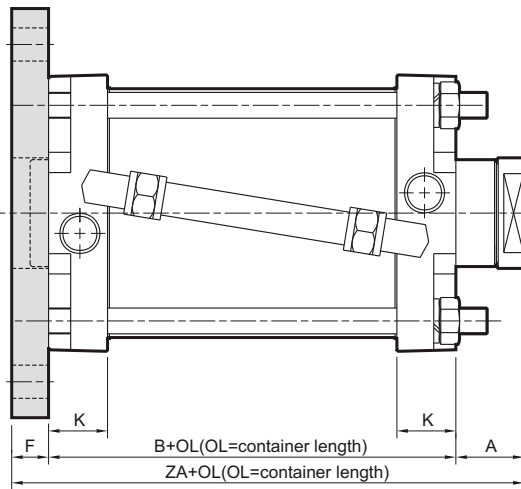
AIR/OIL CONVERTER—Installed uprightly



LB



FAC



Code Tube I.D.	A	B	C	DD	E	F	FB	FF	FR	FU	FX	H	HA	I	J	K	L	LB	LH	LL	LM	LR	LS	LT	LY	O	S	U	V	X	Z	ZA
125	47	90	95	PT 1/2	42	20	18	183	123	222	155	58	60	32	10	32	17	16	85	48	17	115	151	6	186	117	M14×1.5	11	20	150	147	157
150	47	107	108	PT 1/2	42	20	18	230	134	275	185	60	60	32	8	40.5	24.5	18	96.5	55	20	134	175	9	217	134	M16×1.5	12	26	175	162	174